

# VT-SW10GP-2GF-8GTPOE

## 10-Port Layer 2 Gigabit DIN-rail Unmanaged Industrial POE Switch



- Support 2 Gigabit SFP ports and 8 Gigabit PoE copper ports, providing users with flexible networking methods
- Compliant with IEEE802.3at standard, compatible with IEEE802.3af, maximum output power of single port PoE is 30W
- The fiber port supports multiple types of SFP modules, and the copper ports support 10/100/1000Base-T(X) auto-sensing, full/half duplex and auto MDI/MDI-X connection
- Support dual redundancy DC48~52V power input
- High strength metal shell, IP40 protection, fanless design
- -40 °C~+75 °C working temperature



### Product Introductions

VT-SW10GP-2GF-8GTPOE layer 2 Gigabit PoE industrial Ethernet switch supports 2 Gigabit SFP ports and 8 Gigabit PoE copper ports. It is applicable and supplying 48V power to power receiving devices that comply with the IEEE802.3af/at standard. It features with industrial grade components, standard din-rail type installation, high strength metal shell, fanless efficient heat dissipation, -40°C ~ + 75°C wide temperature and high standard industrial protection design, which can adapt to various harsh working environment, stable communication performance. It can be widely used in fields such as comprehensive energy, smart cities, rail transit, intelligent transportation, smart factories, and industrial automation.


**Specification**

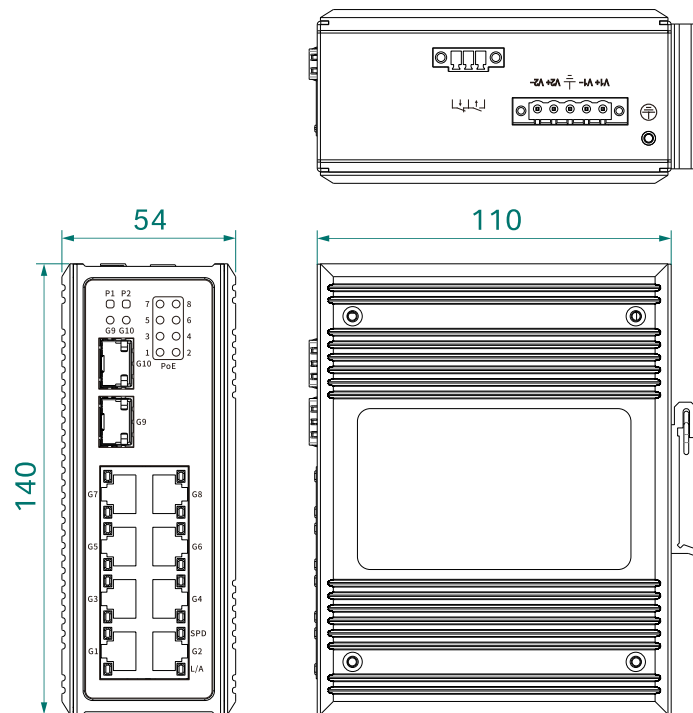
| Switch capability        |  |
|--------------------------|--|
| Backplane Bandwidth      | 20G  |
| Buffer Size              | 1.5Mbit  |
| Mac Address Table        | 4K   |
| Interface                |  |
| Gigabit Fiber Port       | 2x1000Base-X Gigabit SFP ports   |
| Gigabit PoE Copper Port  | 8x10/100/1000Base-T(X) auto-sensing RJ45 PoE ports, full/half duplex and auto MDI/MDI-X<br>PoE/PoE+ complies with IEEE802.3af/at standard, with maximum single port POE output 30W |
| Status LED               | Power LED, Port LED, PoE LED   |
| Power                    |  |
| Power Input              | DC48~52V, dual power redundancy, anti reverse connection   |
| Full Load Power          | <7W@DC48V(No PoE device)   |
| Connection               | 5.08mm pitch 5-pin terminal block  |
| Physical Characteristics |  |
| Dimensions               | 140×54×110mm (DIN rail mounting clip excluded)   |
| Installations            | 35mm standard DIN-rail mounting  |
| Shell protection         | IP40   |
| Weight                   | About 0.78kg   |
| Working Environment      |  |
| Operating Temperature    | -40°C~+85°C  |
| Storage Temperature      | -40°C~+85°C  |
| Relative Humidity        | 5%~95% (non-condensing)  |

 Specification

| Industry Standard |  |
|-------------------|--|
| EMC               | IEC 61000-4-2 (ESD): Level 4<br>IEC 61000-4-5 (Surge): Level 4 *The network ports support 6kV lightning protection<br>IEC 61000-4-4 (EFT): Level 4 |
| Certification     | CE, FCC, RoHS  |

 Dimensions

Unit:mm





## Ordering Information

| Standard Model             | Gigabit Fiber Port | Gigabit PoE Copper Port | Input Voltage       |
|----------------------------|--------------------|-------------------------|---------------------|
| MIEN3210GP-2GF-8GTPoE-DC48 | 2                  | 8                       | Dual DC48~52V input |
| MIEN3210GP-2GF-8GTPoE-DC24 | 2                  | 8                       | Dual DC24V input    |

### Contact Us

#### Shanghai Valtoris Electronic Technology Co., Ltd.

Address: 1088 Fanghe Road, Minhang District, Shanghai, China (201109)

Mail: [sales@valtoris.com](mailto:sales@valtoris.com)

Official site: [www.valtoris.com](http://www.valtoris.com)

Copyright © valtoris Technology All rights reserved

